
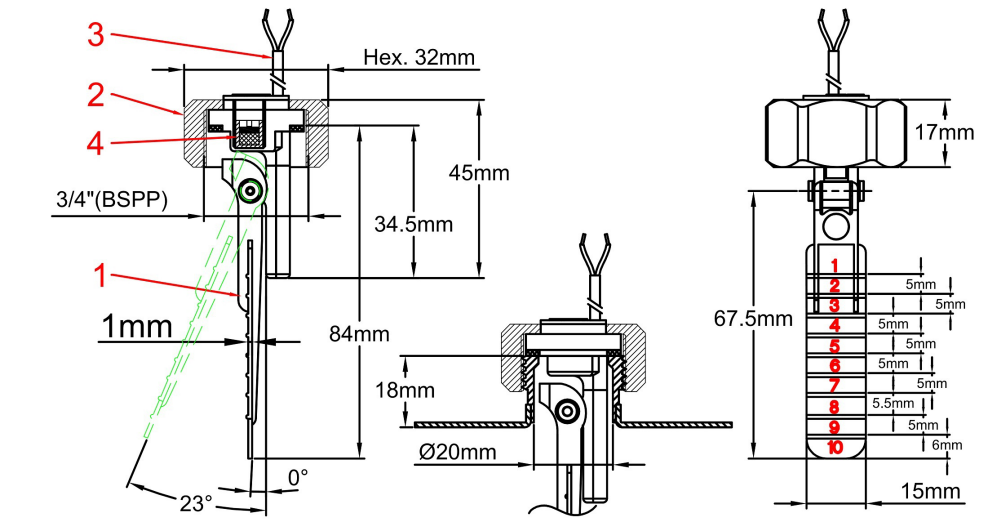


Paddle flow switches, reed switch contact, 3/4" union nut, slim design. Type: R1P

Because of permanent improvement of our products, drawings, descriptions, features used on these data sheets are for guidance only and can be modified without prior advice

Pressure and size	Flow sensing: Cleavable magnetic pull back paddle	Mounting: 3/4" BSPP plastic union nut	Contact: Reed switch, close on flow rise	Electrical rating	Mounting position	Type
PN10 DN ≥ 20				≤ 1A ≤ 70W ≤ 250V~		R1P





1: Cleavable paddle
2: 3/4" BSPP plastic union nut
3: Connection cable
4: Adjustment screw

Main uses: The most simple flow switch with magnetic pull-back. Recommended mounting position is on horizontal pipes, but can be mounted in any position. For water flow detection on **dia 25 to 100mm** water pipes

Functional principle:

Balanced magnetic pallet mounted perpendicular to the flow and activating a reed switch through the wall. The return of the pallet is made by magnetic action, without spring. No seal or liquid can pass between the piping system and the electrical contact. Suitable for corrosive water pools and spas and salination chlorination and bromination systems. Must not be used for water containing magnetic particles or high viscosity liquids, which block the movement of the pallet.

Adjustment: there is 2 adjustment ways on this model

- By cleaving the paddle
- By means of the adjustment screw located under the protective cover. This setting must be carried out only by professional, qualified and trained personnel, as a too low setting can produce an insufficient pull-back force and malfunction. This adjustment is designed for single use and can be sealed.

Main housing material: Polypropylene, resistant to ozone and water disinfection products, usable with potable water.

Union nut material: High mechanical strength fiber glass reinforced PA66.

The type without nut is designed for snap-in assembly on plastic and stainless steel fittings. (see section 8 of this catalogue)

Paddle: Polypropylene, 15 mm width

Paddle shaft: **Titanium**, providing an outstanding corrosion resistance, and improved mechanical live

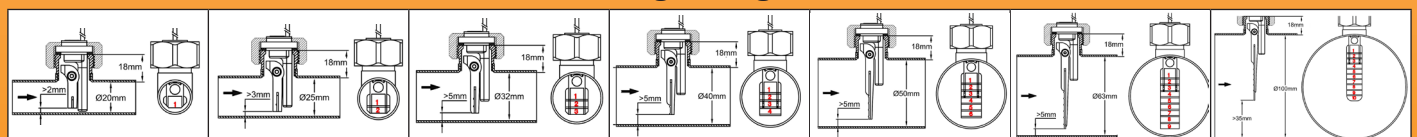
Electrical rating: Max 1A, Max 70W, Max 250V, resistive load. Use on inductive circuits reduces electrical rating. We recommend to protect the reed switch with contact protection device when used in inductive loads

Electric contact type: Normally open, closes by flow rise

Liquids compatibility: For use with clean water and liquids without magnetic particles and without chemical incompatibility with polypropylene and titanium

Nominal pressure at 20°C: 1MPa (PN10).

Mounting configurations





Type: R1P

Average Flow detection values

Paddle length	Pipe ID (mm)													
	20		25		32		40		50		63		100	
	*Close	**Open	*Close	**Open	*Close	**Open	*Close	**Open	*Close	**Open	*Close	**Open	*Close	**Open
1	(2,5) 3,7 (5,3)	(2,1) 3,3 (4,8)	(5,8) 7,7 (16)	(4,7) 7,2 (14)	(13) 18 (27)	(11) 16 (25)	(23) 28 (53)	(20) 25 (43)	(49) 65 (78)	(35) 53 (65)	(113) 138 (237)	(75) 93 (142)	(217) 258 (420)	(187) 217 (330)
1~2					(8,1) 11 (19)	(6,5) 10 (18)	(18) 21 (35)	(16) 18 (32)	(30) 37 (65)	(26) 33 (53)	(63) 95 (175)	(52) 78 (100)	(158) 208 (350)	(140) 183 (280)
1~3					(5,7) 9 (16)	(4,8) 8 (14)	(13) 16 (28)	(10) 13 (25)	(21) 28 (42)	(18) 25 (30)	(47) 70 (125)	(37) 52 (92)	(123) 157 (262)	(109) 135 (237)
1~4							(7,2) 13 (22)	(5) 10 (19)	(17) 22 (35)	(14) 19 (32)	(38) 48 (87)	(32) 38 (67)	(108) 130 (223)	(93) 108 (197)
1~5									(13) 18 (28)	(4,6) 15 (26)	(28) 40 (62)	(25) 33 (50)	(83) 98 (183)	(73) 87 (163)
1~6									(9,2) 15 (24)	(7,8) 12 (22)	(21) 30 (53)	(18) 25 (43)	(73) 80 (150)	(63) 73 (137)
1~7									(7,1) 11 (23)	(5,4) 8 (18)	(17) 22 (41)	(13) 18 (37)	(58) 73 (130)	(53) 68 (120)
1~8											(13) 19 (35)	(10) 14 (32)	(49) 63 (98)	(43) 55 (88)
1~9											(10) 15 (28)	(7) 12 (25)	(43) 56 (90)	(38) 48 (85)
1~10													(42) 48 (84)	(37) 42 (73)

* Close by flow rise (L/min) of contact open at no flow position.

** Open by flow decrease (L/min) of contact open at no flow position. Average values for indication only. Standard tolerances ±30%
Values upon (low span end), middle span and (high span end) calibration.

Nominal diameter: Can be used on 25 to 100 mm internal diameter pipes

The paddle is cleavable and can be cut at various lengths upon pipe diameter. There are cutting lines numbered 1 to 10 every 5mm.

Recommended mounting position: On horizontal pipes. Mounting in other positions slightly modify the calibration

Water pipe connection: On male 3/4" fitting. NBR gasket is supplied with the product.

Recommended torque: 7Nm

Liquids temperature range: 5 to 80°C

Ambient temperature range: 5 to 50°C

Ingress protection: IP65

Electrical connection: 2 × AWG24 (0.2mm²) cable, PVC insulation, T80°, style UL2464.

Installation instructions:

- Check carefully the paddle orientation: The arrow on housing must be exactly parallel to the pipe
- A 5 mm minimum gap must be respected between end of the paddle and tube wall opposite to the fitting.
- We recommend the use of nozzles of length less than or equal to 18mm between the gasket seat and the inside of the tube and with an inner diameter greater than or equal to 20 mm, to avoid blocking of the pallet

Accessories: 3/4" male PVC saddles for DN40 to DN100 (OD) PVC pipes, and other fittings: see section 8 of this catalogue.

Options: cable with connector or terminals, other cable length, nickel plated 3/4" BSPP union nut.

Main references

Calibration	Mounting	Cable length		
		500mm	1m	2m
Low span end (1gr)	3/4" BSPP Union nut	R1P616884G35P050	R1P616884G35P100	R1P616884G35P200
Low span end (1gr)	No nut, for snap-in mounting	R1P616884S15P050	R1P616884S15P100	R1P616884S15P200
Middle span (2grs)	3/4" BSPP Union nut	R1P626884G35P050	R1P626884G35P100	R1P626884G35P200
Middle span (2grs)	No nut, for snap-in mounting	R1P626884S15P050	R1P626884S15P100	R1P626884S15P200
High span end (4grs)	3/4" BSPP Union nut	R1P646884G35P050	R1P646884G35P100	R1P646884G35P200
High span end (4grs)	No nut, for snap-in mounting	R1P646884S15P050	R1P646884S15P100	R1P646884S15P200